

# Mitek Corporation

Research & Development  
 1000 30th Street  
 Monroe, WI 53566  
 Phone: (608)328-2552 Fax: (608)328-2562

THIS DRAWING AND DATA EMBODY PROPRIETARY DESIGNS AND INFORMATION WHICH IS THE CONFIDENTIAL PROPERTY OF MITEK CORPORATION, NONE OF WHICH SHALL BE COPIED, REPRODUCED, DISCLOSED TO OTHERS, PRODUCED OR USED IN WHOLE OR IN PART, FOR ANY PURPOSE WITHOUT EXPRESS WRITTEN PERMISSION OF A DULY AUTHORIZED AGENT OF MITEK CORPORATION. THIS DRAWING IS SUBJECT TO RECALL BY MITEK CORPORATION AT ANY TIME. IT IS BEING SUBMITTED IN CONFIDENCE AND PATENT RIGHTS ARE RESERVED BY MITEK CORPORATION.

MITEK PART # / DRAWING #

MAT'L



TOLERANCES  
 (except as noted)  
 XX ±.1  
 XXX ±.02  
 XXXX ±.015  
 ANGLEUR ±1°  
 FRACTIONAL ±1/16

REV

DESCRIPTION

BY

TITLE  
**6900 MOUNTING DEPTHS**

DRAWN IN  
 STANDARD

SHEET #  
 1 OF 1

CAD FILE NAME  
 6900

FINISH  
 NONE

STD - SIGNIFICANT CHARACTERISTICS

DRAWN BY  
 C.K.

DATE  
 6-25-03

DATE

DATE

MODEL  
 6900

CHK'D BY

SAMPLE #

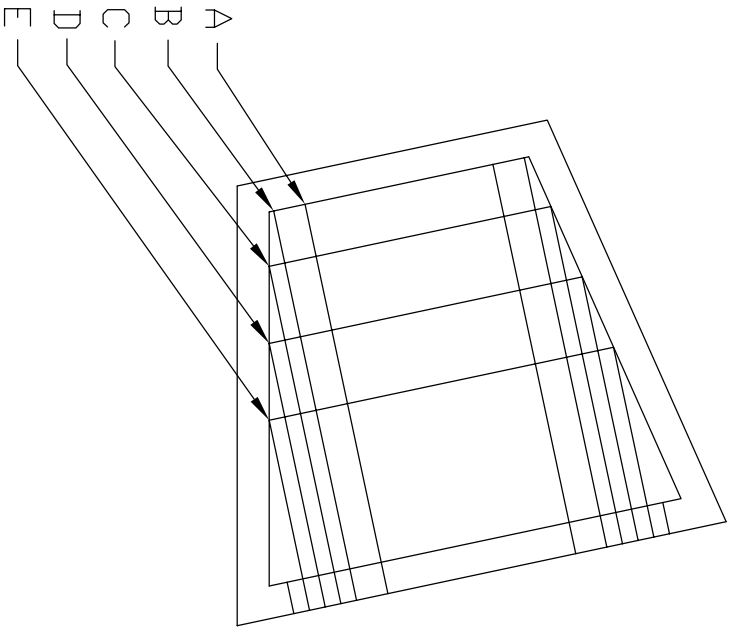
PART #

VENDOR

CUSTOMER

APPROVED BY

DATE



- A: 3" DIA. MOTOR, 6,220 MAX MOUNT DEPTH  
 (76.2mm DIA. MOTOR, 157.9mm MAX MOUNT DEPTH)
- B: 4" DIA. MOTOR, 6,220 MAX MOUNT DEPTH  
 (101.6mm DIA. MOTOR, 157.9mm MAX MOUNT DEPTH)
- C: 4.5" DIA. MOTOR, 5,386 MAX MOUNT DEPTH  
 (114.3mm DIA. MOTOR, 136.8mm MAX MOUNT DEPTH)
- D: 5" DIA. MOTOR, 4,210 MAX MOUNT DEPTH  
 (127mm DIA. MOTOR, 106.9mm MAX MOUNT DEPTH)
- E: 5.5" DIA. MOTOR, 3,033 MAX MOUNT DEPTH  
 (139.7mm DIA. MOTOR, 77.0mm MAX MOUNT DEPTH)